

Features

- Two full-extension 12-3/4" (325 mm) drawers with soft-close side-mount slides
- 18" (457 mm) cabinet interior with two shelves provides ample storage space
- Three-way adjustable slow-close door hinges for easy cabinet access
- Finish-matched cabinet interior
- Customize your storage with optional accessories such as floor liners, drawer organizers, and perfectly sized containers (sold separately)
- Coordinates with K-33558 upgraded hardware finishes (sold separately)

Material

- Solid wood and moisture-resistant MDF
- Painted exterior

Installation

- Easy installation – no special tools required

Included Components

Additional Components:

Wall mounting hardware



Codes/Standards

EPA TSCA Title VI/CARB P2

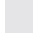

KOHLER® One-Year Limited Warranty

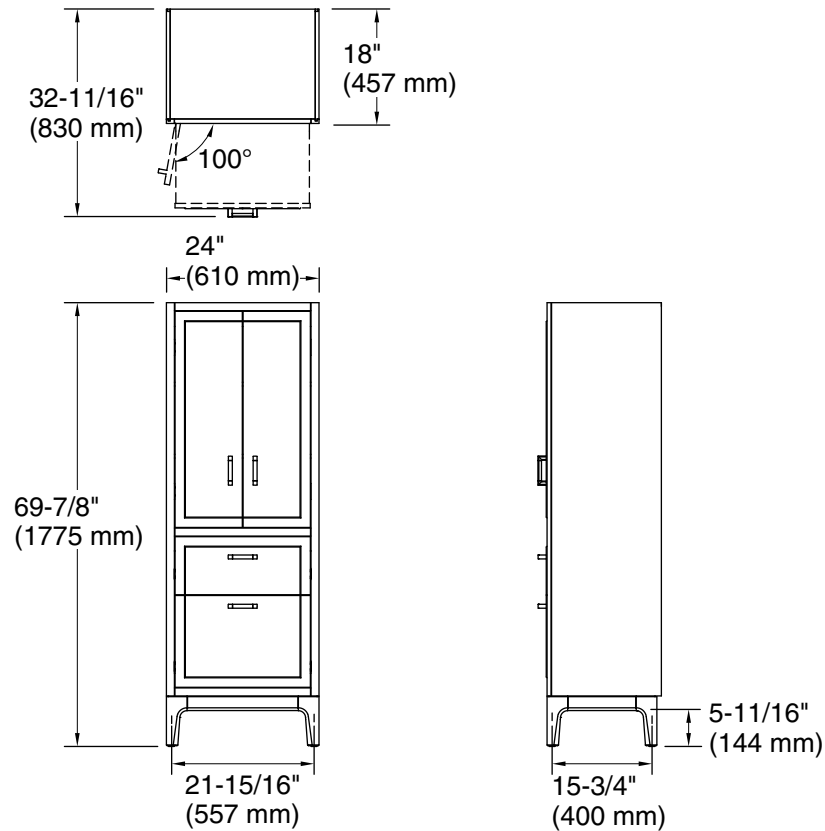
See website for detailed warranty information.

Available Colors/Finishes

Color tiles intended for reference only.

Color	Code	Description
-------	------	-------------

	0	White
	1WT	Mohair Grey



Technical Information

All product dimensions are nominal.

Notes

Install this product according to the installation instructions.